



OVERLAND RUNNING BOARDS

Assembly, Installation, Operation,
and Maintenance Instructions

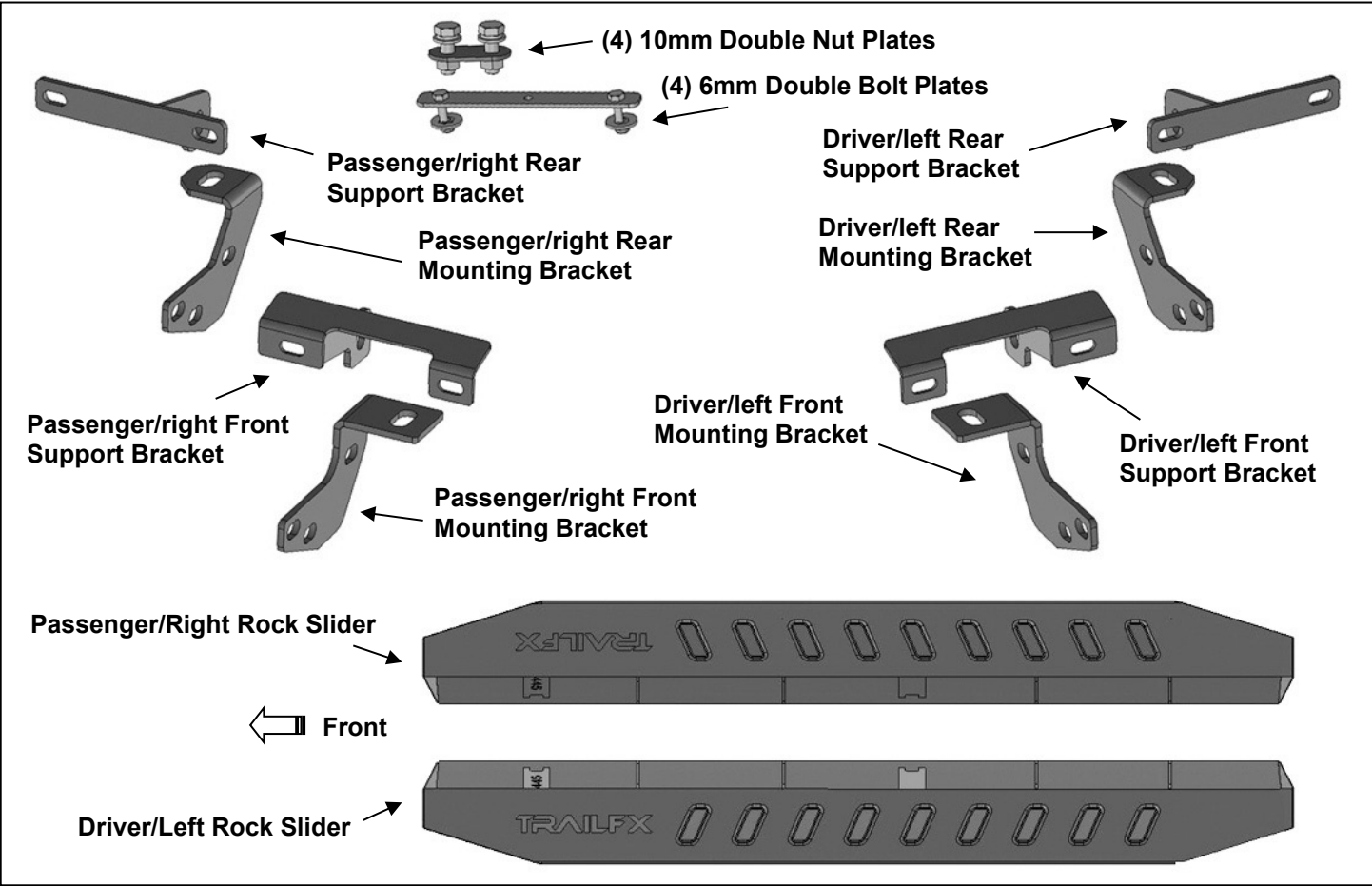
PART NUMBER	ORB004
INSTALL TIME	120 MINUTES

2018-2024 JEEP WRANGLER JL 2 DOOR

DEALER / INSTALLER	Provide a copy of these instructions to the end user of this product. These instructions provide important operating and safety information for proper usage of this product. Demonstrate the proper use of the product with the end user. Have the end user demonstrate that they understand the proper use of the product.
END USER	Read and follow all instructions included in this manual. Ask your Dealer/Installer for assistance if you do not understand the proper use of the product. Never remove any decals from the product. Failure to follow these instructions can result in injury or death.

PACKAGE CONTENTS

DRIVER/LEFT RUNNING BOARD	1	10mm DOUBLE NUT PLATES	4
PASSENGER/RIGHT RUNNING BOARD	1	10-1.5mm X 30mm HEX BOLTS	12
DRIVER/LEFT FRONT MOUNTING BRACKET	1	10mm X 20mm X 2mm FLAT WASHERS	16
PASSENGER/RIGHT FRONT MOUNTING BRACKET	1	10mm LOCK WASHERS	8
DRIVER/LEFT FRONT SUPPORT BRACKET	1	10mm NYLON LOCK NUTS	4
PASSENGER/RIGHT FRONT SUPPORT BRACKET	1	8-1.25mm X 35mm HEX BOLTS	4
DRIVER/LEFT REAR MOUNTING BRACKET	1	8mm X 28mm X 3mm FLAT WASHERS	4
PASSENGER/RIGHT REAR MOUNTING BRACKET	1	8mm LOCK WASHERS	4
DRIVER/LEFT REAR SUPPORT BRACKET	1	6-1.0mm X 25mm DOUBLE BOLT PLATES	4
PASSENGER/RIGHT REAR SUPPORT BRACKET	1	6mm X 22mm X 2mm FLAT WASHERS	8
		6mm NYLON LOCK NUTS	8



PROCEDURE

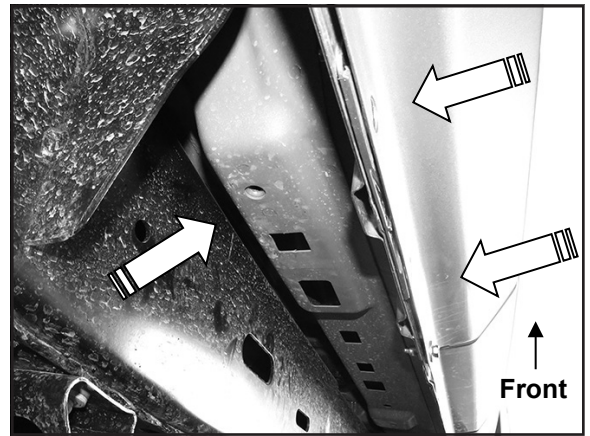
REMOVE CONTENTS FROM BOX. VERIFY ALL PARTS ARE PRESENT. READ INSTRUCTIONS CAREFULLY. FACTORY INSTALLED OR AFTERMARKET "ROCK RAILS," SIDE STEPS OR RUNNING BOARDS MUST BE REMOVED. ASSISTANCE IS RECOMMENDED.

IMPORTANT: MOUNTING AND SUPPORT BRACKETS LOOK SIMILAR BUT EACH IS UNIQUE AND MUST BE INSTALLED IN THE CORRECT LOCATION.

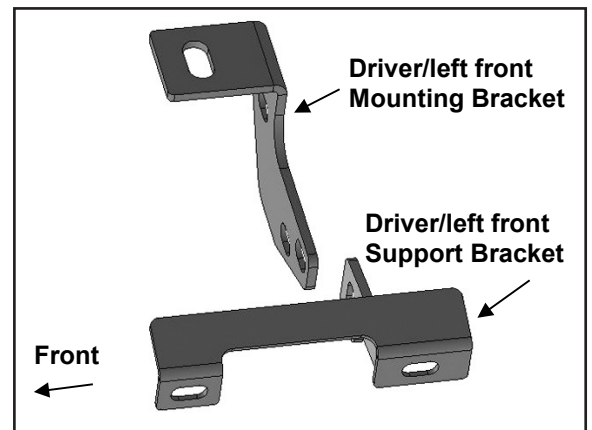
1. Start installation on the driver/left side of the vehicle. Locate the front pair of holes in the pinch weld closest to the front wheel opening, **(Figure 1)**. Directly behind the pair of holes, locate the 8mm threaded hole in the floor of the vehicle. **NOTE:** Threaded holes may be covered with undercoating. Scrape off excess undercoating to provide a flat surface for Brackets.

2. Select the driver/left Front Support Bracket, **(Figure 2)**. From the outside, insert (1) 6mm Double Bolt Plate through the holes in the pinch weld. Attach the Support Bracket to the **back** of the pinch weld with the included (2) 6mm Flat Washers and (2) 6mm Nylon Lock Nuts, **(Figure 3)**. Leave hardware loose.

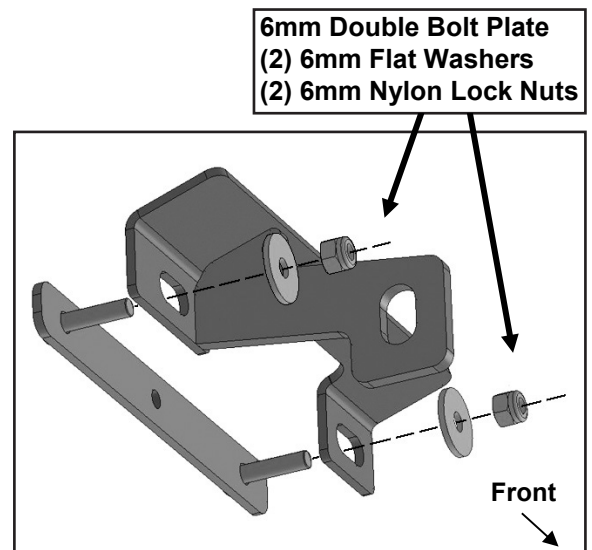
Driver/Left Side Installation Pictured



(Figure 1) Driver/left front mounting location. Note (2) holes through pinch weld and threaded hole in bottom of floor (arrows).



(Figure 2) Driver/left front Mounting Bracket and Support Bracket. Note square top on Mounting Bracket.



(Figure 3) From outside pinch weld, insert studs on Double Bolt Plate through pinch weld. Attach Support Bracket to Bolt Plate.

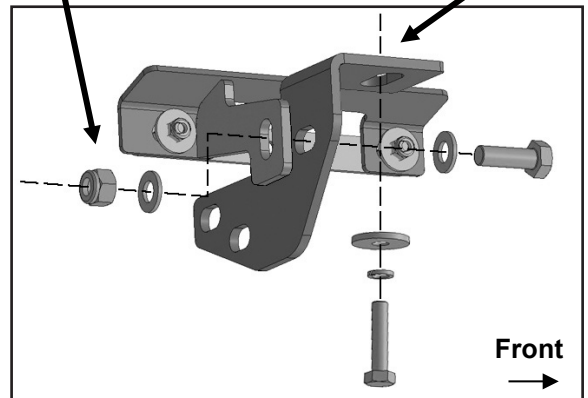
PROCEDURE (CONTINUED)

3. Next, select the driver/left Front Mounting Bracket, **(Figure 2)**. Attach Mounting Bracket to the threaded hole in the floor with the included (1) 8mm x 35mm Hex Bolt, (1) 8mm Lock Washer and (1) 8mm Flat Washer, **(Figure 4)**. Attach the Mounting Bracket to the front facing side of the Support Bracket with the included the (1) 10mm x 30mm Hex Bolt, (2) 10mm Flat Washers and (1) 10mm Nylon Lock Nut, **(Figures 4 & 5)**. Leave hardware loose at this time.

Driver/Left Side Installation Pictured

10mm x 30mm Hex Bolt
(2) 10mm Flat Washers
10mm Nylon Lock Nuts

8mm x 35mm Hex Bolt
8mm Lock Washer
8mm Flat Washer



(Figure 4) Attach driver/left front Mounting Bracket to threaded hole in floor and front facing side of Support Bracket.



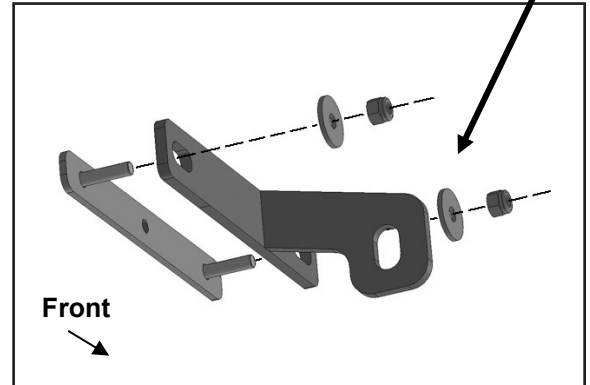
(Figure 5) Driver/left front Brackets installed.

PROCEDURE (CONTINUED)

4. Continue to the last pair of mounting holes close to the rear wheel opening. Select the Driver/left Rear Support Bracket and Driver/left Rear Mounting Bracket, **(Figure 6)**. Repeat **Step 2** to attach the Driver/left Rear Support Bracket to the back of the pinch weld, **(Figure 7)**. Repeat **Step 3** to attach the Driver/left Rear Mounting Bracket to the front facing side of the Support Bracket, **(Figures 8 & 9)**.

Driver/Left Side Installation Pictured

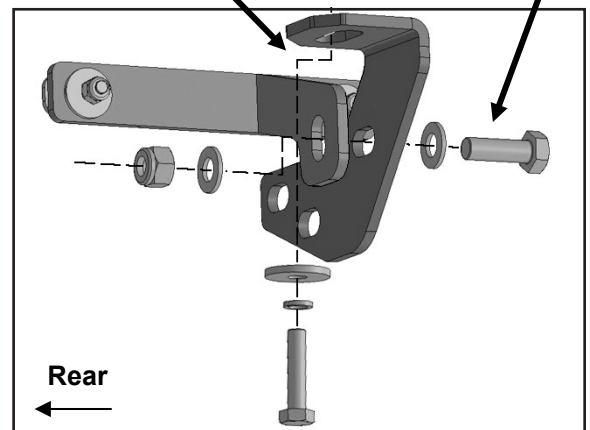
6mm Double Bolt Plate
(2) 6mm Flat Washers
(2) 6mm Nylon Lock Nuts



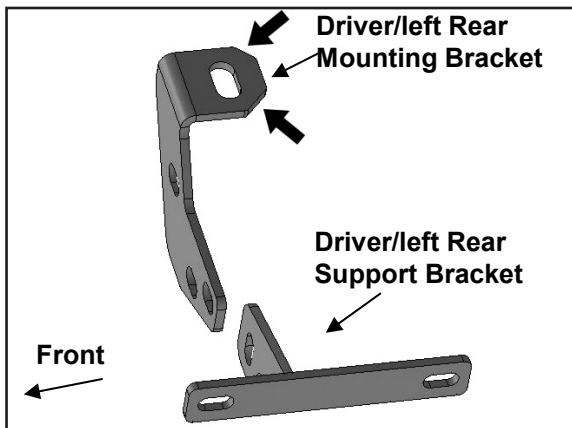
(Figure 7) From outside pinch weld, insert studs on Double Bolt Plate through pinch weld. Attach Support Bracket to Bolt Plate.

8mm x 35mm Hex Bolt
8mm Lock Washer
8mm Flat Washer

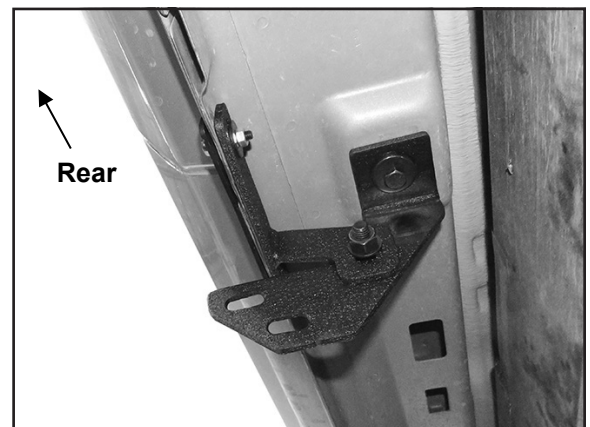
10mm x 30mm Hex Bolt
(2) 10mm Flat Washers
10mm Nylon Lock Nuts



(Figure 8) Attach driver/left Rear Mounting Bracket to threaded hole in floor and front facing side of Support Bracket.



(Figure 6) Driver/left Rear Mounting Bracket and Rear Support Bracket. Note notches on Bracket for identification (arrows).



(Figure 9) Driver/left rear Brackets installed.

PROCEDURE (CONTINUED)

5. Carefully unwrap the Overland Side Steps. Select the driver/left Side Step. With assistance, hold the Side Step up to the rear facing side of the Mounting Brackets. Attach the Side Step to the front Bracket with the included (2) 10mm x 30mm Hex Bolts, (2) 10mm Lock Washers, (2) 10mm Flat Washers and (1) 10mm Double Nut Plate, **(Figure 10)**. Repeat this **Step** to attach the Side Step to the rear Mounting Bracket, **(Figure 11)**.

6. Align and adjust the Side Step and tighten all hardware.

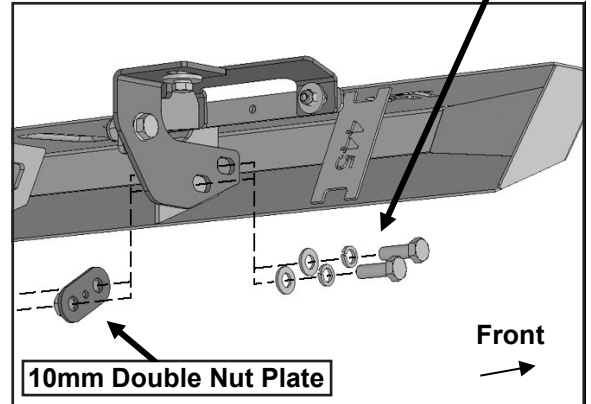
7. Repeat **Steps 1-6** for passenger/right side Overland Side Step installation.

8. Do periodic inspections to the installation to make sure that all hardware is secure and tight.

To protect your investment; Do not use any type of polish or wax that may contain abrasives that could damage the finish. Mild soap may be used to clean the Side Step.

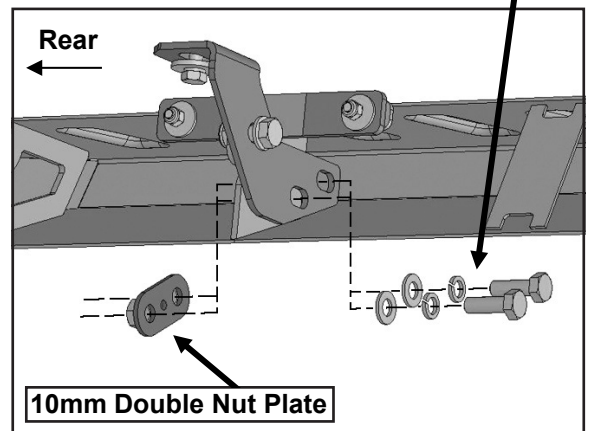
Driver/Left Side Installation Pictured

(2) 10mm x 30mm Hex Bolts
(2) 10mm Lock Washers
(2) 10mm Flat Washers

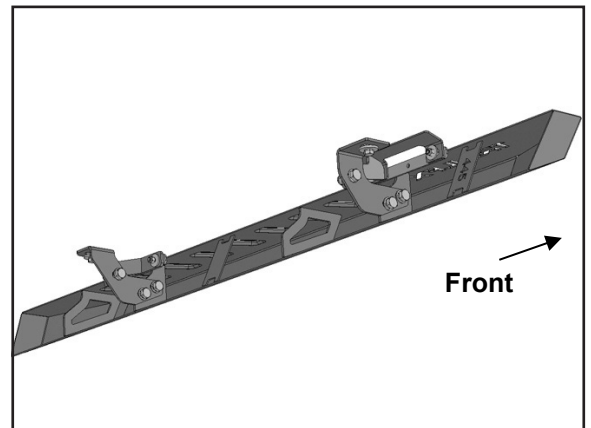


(Figure 10) Attach driver/left Side Step to the rear facing side of the Front Mounting Bracket.

(2) 10mm x 30mm Hex Bolts
(2) 10mm Lock Washers
(2) 10mm Flat Washers



(Figure 11) Attach driver/left Side Step to the rear facing side of the Rear Mounting Bracket.



Driver/left complete assembly.

PRODUCT CARE

- Periodically check the product to ensure all fasteners are tight and components are intact.
- Regular waxing is recommended to protect the finish of the product.
- Use ONLY Non-Abrasive automotive wax. Use of any soap, polish or wax that contains an abrasive is detrimental and can scratch the finish leading to corrosion.
- Mild soap may be used to clean the product for Black finish.

FAQs

Hardware and mounting brackets are not aligning properly.	Ensure that hardware is being used on the correct side of vehicle. In some cases, the hardware may appear the same for driver and passenger side but may alter the alignment of mounting location. Check mounting brackets for both sides.
Products are thumping / rattling after Installation.	Ensure that all required mounting brackets/hardware's are installed & tightened correctly. Suggest using white Lithium/regular grease between metal-to-metal contact.
Missing / Excess Hardware.	Recheck hardware count as per the part list.
Product not installing properly.	Ensure the Year/Make/Model as well as cab and bed dimensions are correct for the application. Review all steps for installation to ensure they were followed correctly.
Who should be contacted for questions regarding product / installation assistance?	www.trailfx.com / support@trailfx.com or 1-(866) 638-4870

CONTACT US

WEBSITE: TrailFX.com

PHONE: 1-866-638-4870

EMAIL: support@trailfx.com

WARRANTY TERMS

Black Powder Coated: Limited 3 Year Warranty

TrailFX and Keystone Automotive Operations Inc. make no guarantees or warranties for products not manufactured by Keystone Automotive Operations Inc. Such products are covered solely under any applicable warranty of the manufacturer. It is always recommended that the operating instructions and warranty instructions provided by the manufacturer are followed.

Keystone Automotive Operations Inc. warrants its products to be free from manufacturing and material defects to the original purchaser for the length of warranty stated above from the date of retail purchase. If any products are found to have a manufacturing or material defect, the product will be replaced or repaired at the option of TrailFX and Keystone Automotive Operations Inc. with proof of purchase by the original purchaser. The original purchaser shall pay all transportation and shipping costs associated with the return of the defective product and the defective product shall become the property of Keystone Automotive Operations Inc.

This Warranty applies to Keystone Automotive Operations Inc. products used for individual and recreational purposes. Commercial usage of the Keystone Automotive Operations Inc. products limits the warranty to 90 days from the date of purchase.

This Warranty applies only to Keystone Automotive Operations Inc. products which are found to be defective in manufacturing or material. This warranty does not apply to normal wear and tear of the finish placed on Keystone Automotive Operations Inc. products.

TrailFX and Keystone Automotive Operations Inc. are not responsible for any labor costs incurred for removal or replacement of the defective product.

TrailFX and Keystone Automotive Operations Inc. are not responsible for repair or replacement of any product under the limited warranty where the product was improperly installed, misapplied, altered, abused, neglected, overloaded, misused, or damaged as a result of an accident, including any use of the product not in accordance with all products operating and safety instructions.

Without limiting the generality of the foregoing, TrailFX and Keystone Automotive Operations Inc. shall under no circumstances be liable for any incidental or consequential loss or damage whatsoever arising out of, or in any way relating to any such breach of warranty or claimed defect in, or non-performance of the products. Some states do not allow the exclusion or limitation of incidental or consequential damages, so the above exclusion or limitation may not apply to you.

This limited warranty gives you specific legal rights, and you may also have other rights that vary from state to state.